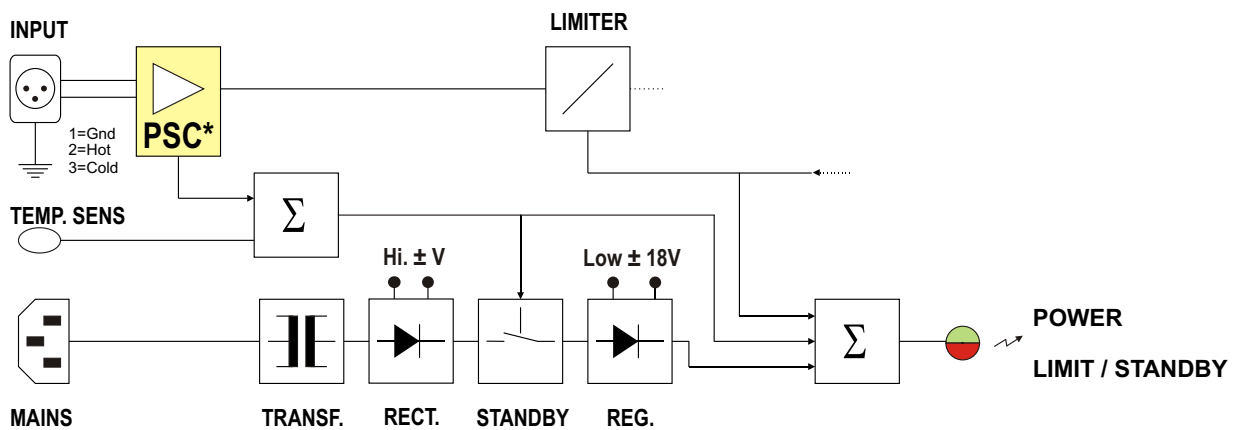


PSC Command principle

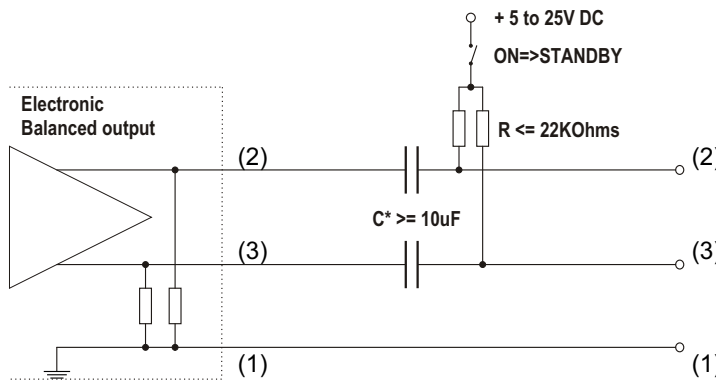
PSC enables to control the standby mode of your loudspeakers through the signal cable.
 This command is generated by pulling up simultaneously the voltage of the entries (2) and (3) of the XLR.
 A voltage of +5 to 25V DC referenced to the ground is necessary to control the standby mode.

*PSC : Phantom Standby Control :



The front panel LED is slightly lit in red during the standing mode.

Command principle schematic



**CONNECT ONLY TO:
 True Balanced XLR
 INPUT With PSC***

*This schematic is only applicable for gears equipped with serial capacitors. Other more elegant solutions are also easily applicable.